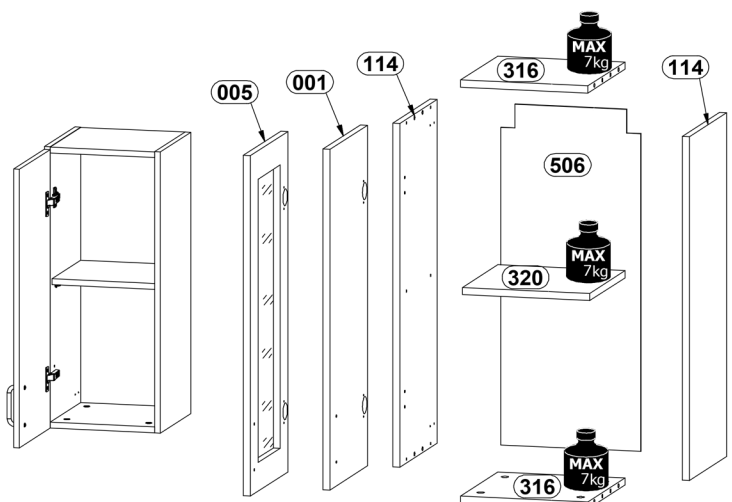
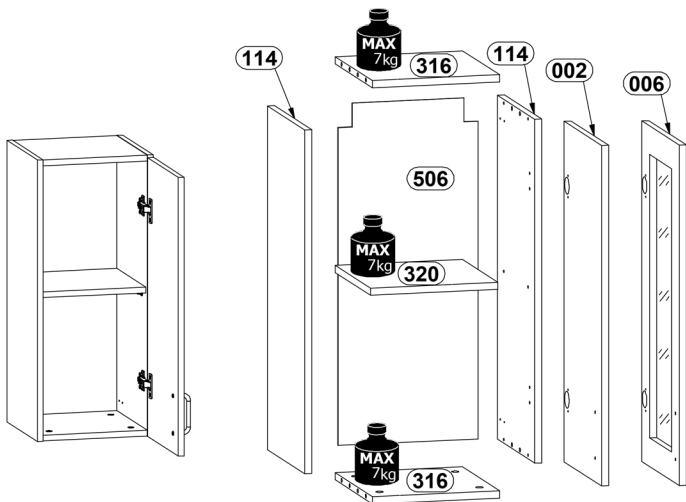
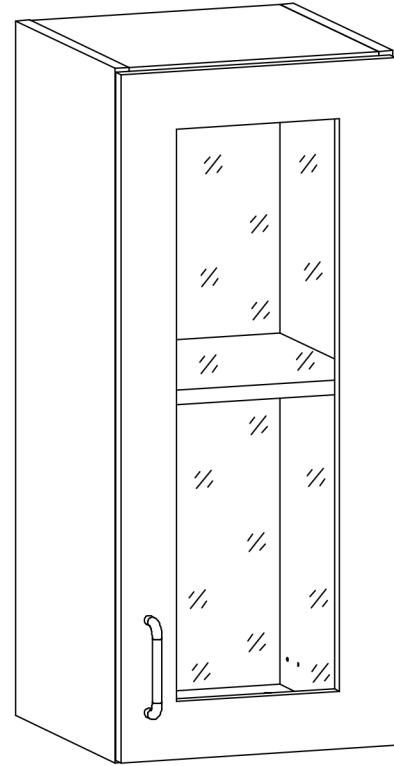
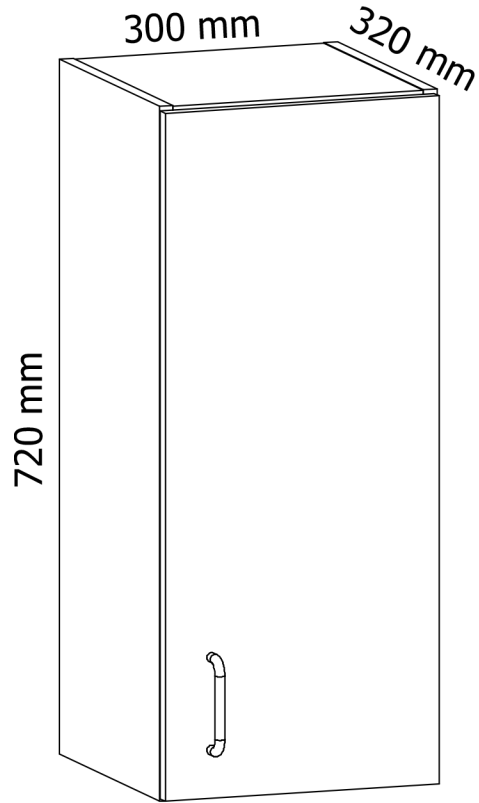
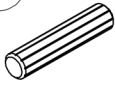



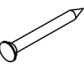

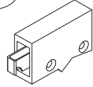
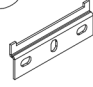



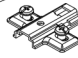
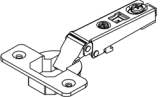
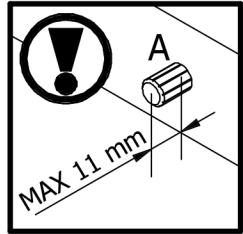
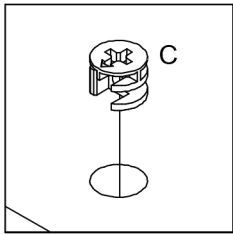
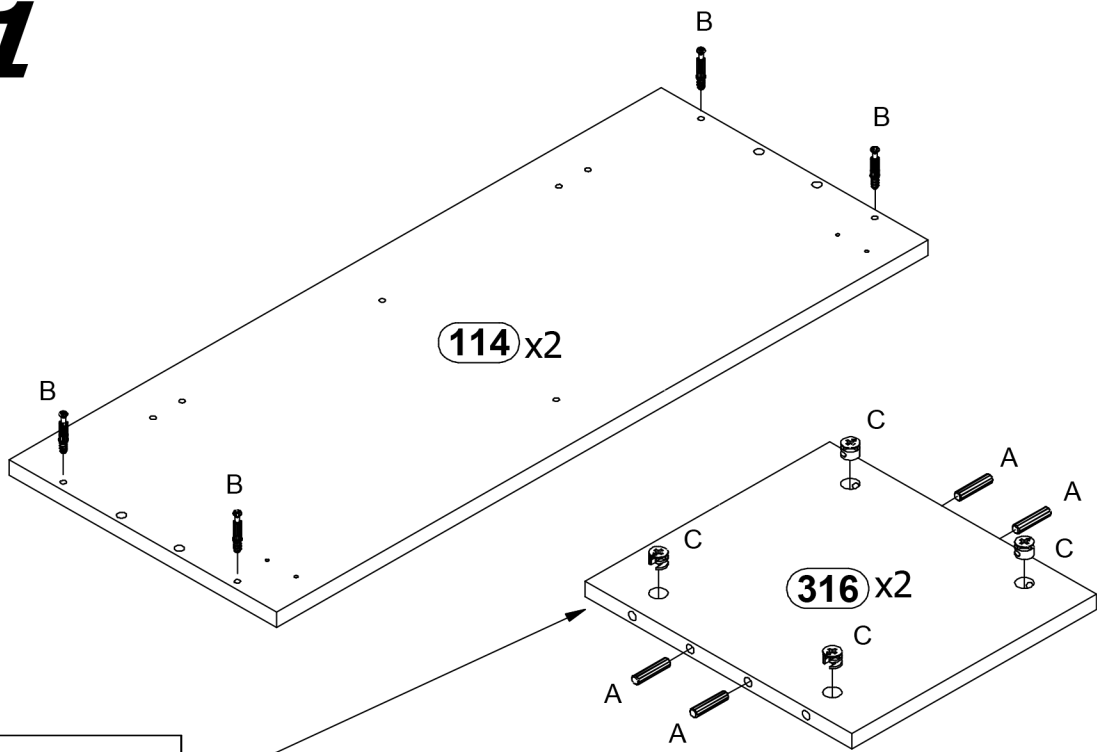
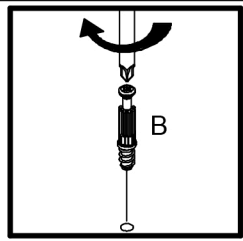


# G30 / G30S

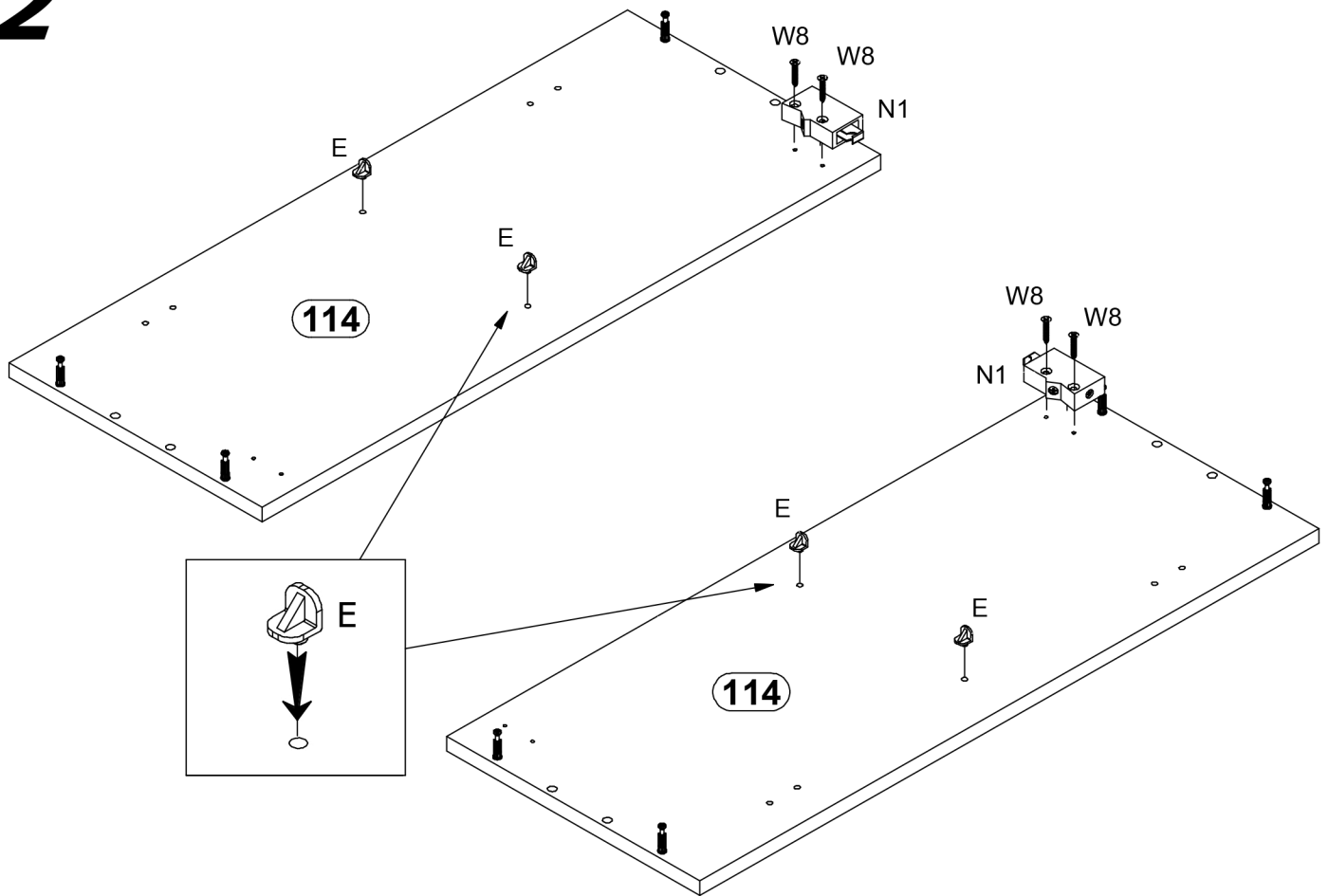


<b>A</b> x8  $\text{\O}8 \times 35 \text{mm}$	<b>B</b> x8 	<b>C</b> x8  $\text{\O}15 \times 12 \text{mm}$	<b>E</b> x4 
<b>G</b> x20 	<b>M</b> x1 	<b>N1</b> x2 	<b>N2</b> x2 
<b>W2</b> x4  $\text{\O}3,5 \times 16$	<b>W8</b> x4  $\text{\O}4 \times 30 \text{mm}$	<b>Y</b> x8  $\text{\O}18 \text{mm}$	
<b>Zc</b> x2  Zc-1	 Zc-2		

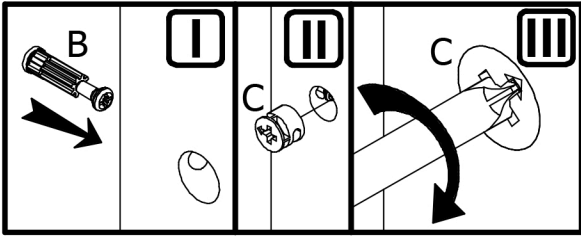
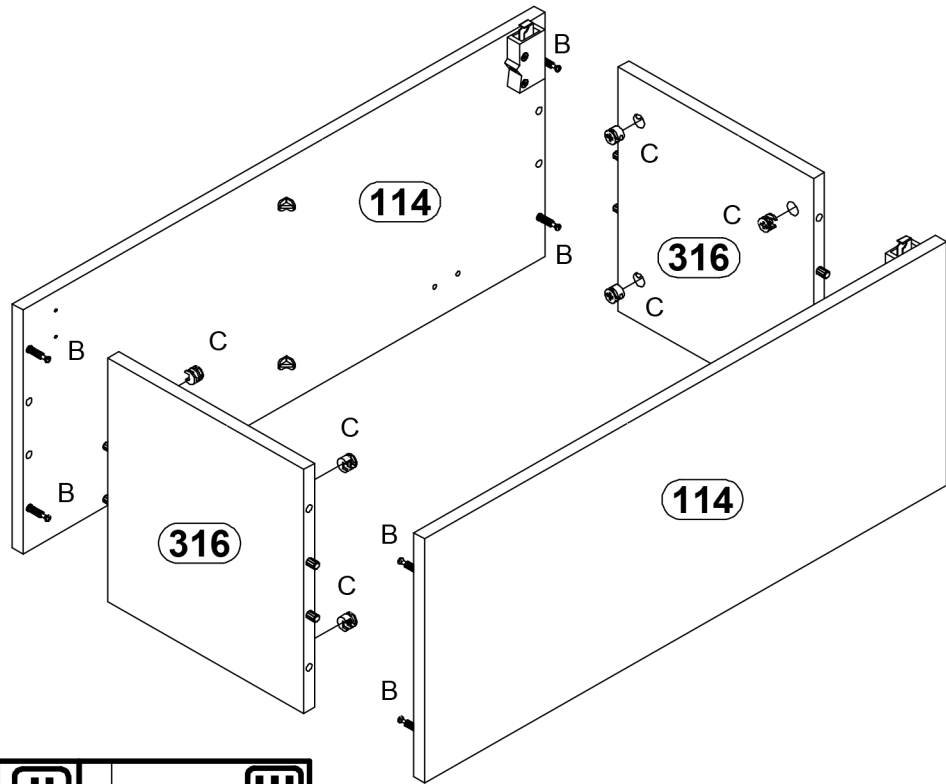
# 1



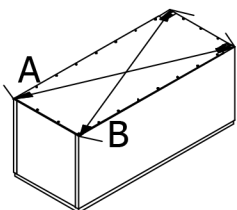
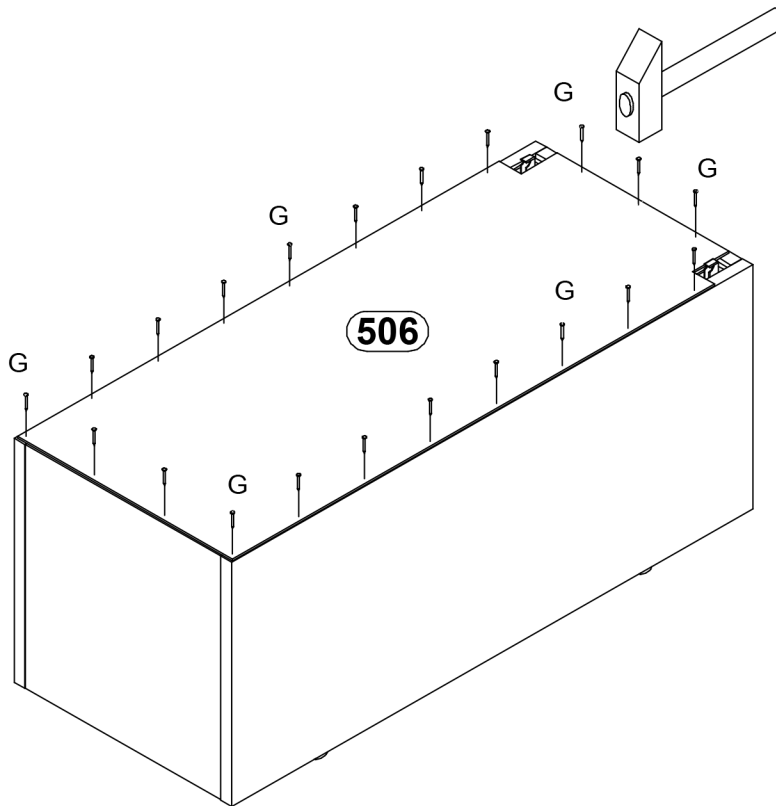
# 2



# 3

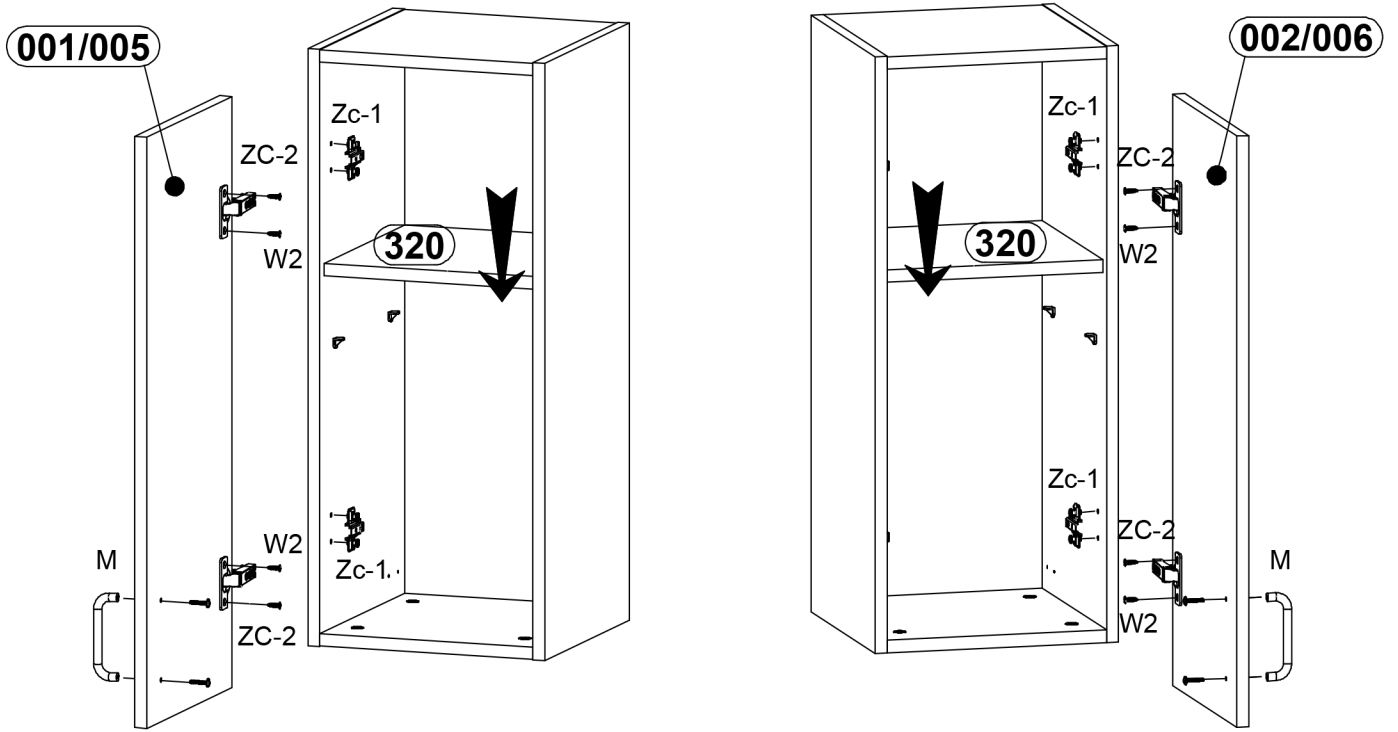


# 4

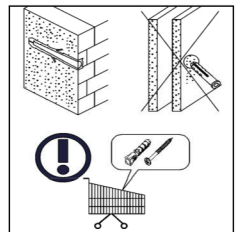
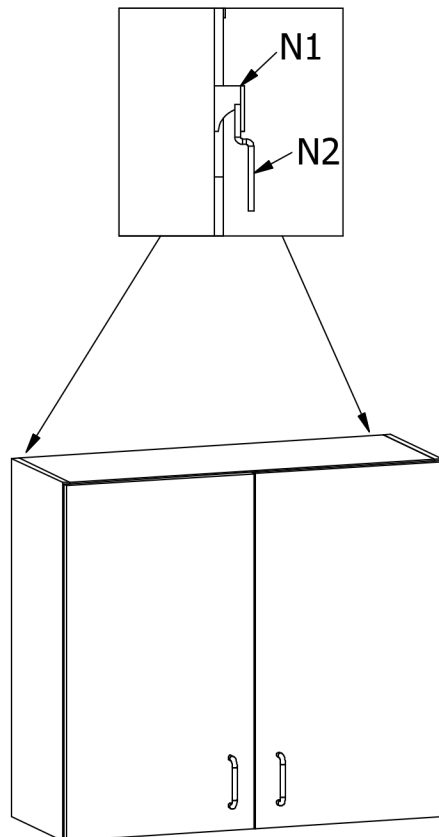


A=B

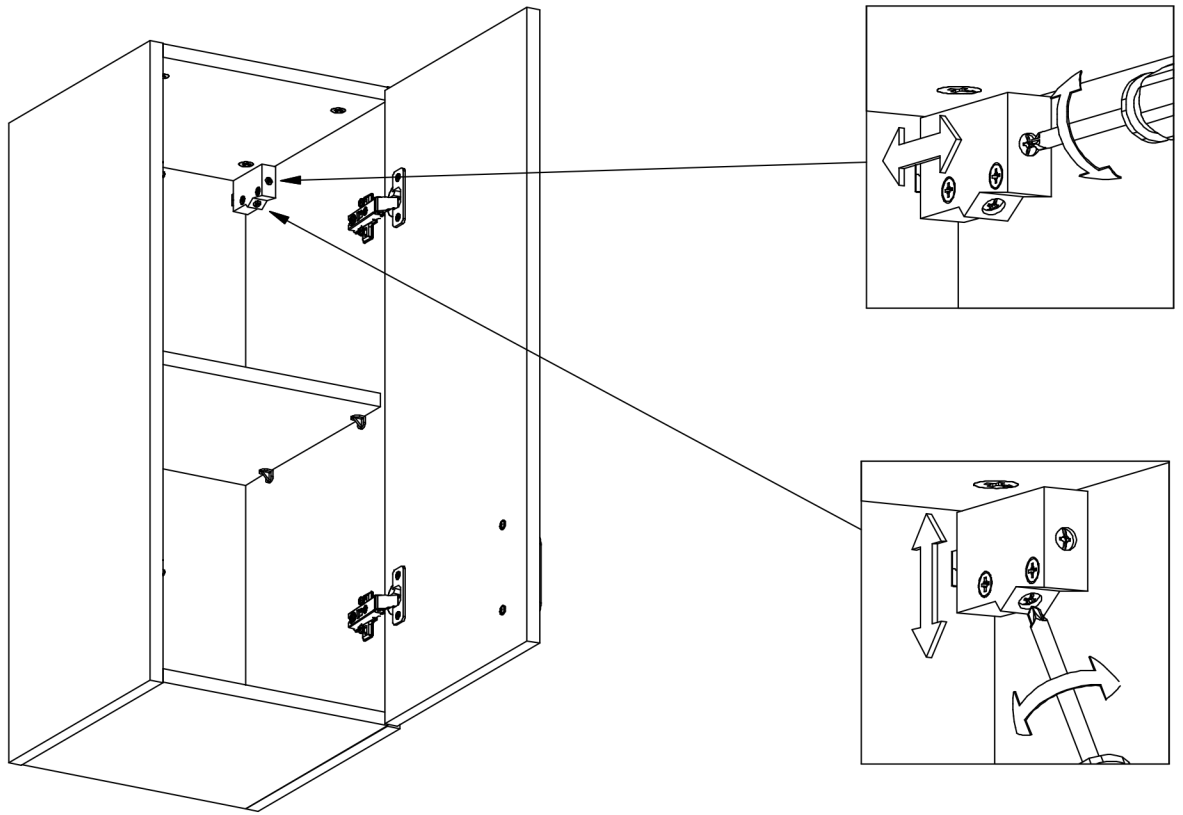
# 5



# 6



# 7



# 8

